

P220/P230 FIT METAL PUMP

25 mm (1") Pump
Maximum Flow Rate:
212 lpm (56 gpm)

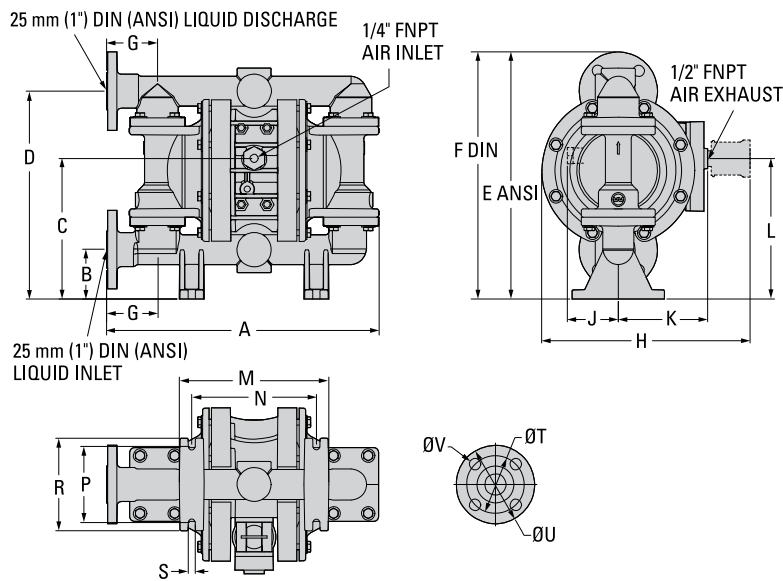
DIMENSIONAL DRAWINGS

PUMP DATA

Specifications:

- Ship Weight..... Aluminum 11 kg (24 lb)
- Ductile Iron 21 kg (47 lb)
- 316 Stainless Steel 23 kg (51 lb)
- Air Inlet6 mm (1/4")
- Liquid Inlet.....25 mm (1")
- Liquid Outlet.....25 mm (1")

P230 Stainless Steel



DIMENSIONS

ITEM	METRIC (mm)	STANDARD (inch)
A	373	14.7
B	69	2.7
C	195	7.6
D	287	11.4
E	340	13.4
F	343	13.5
G	71	2.8
H	287	11.3
J	71	2.8
K	122	4.8
L	193	7.6
M	206	8.1
N	173	6.8
P	104	4.1
R	127	5.0
S	10	0.4
DIN FLANGE		
T	85 DIA.	3.3 DIA.
U	115 DIA.	4.5 DIA.
V	14 DIA.	0.6 DIA.
ANSI FLANGE		
T	79 DIA.	3.1 DIA.
U	109 DIA.	4.3 DIA.
V	14 DIA.	0.6 DIA.

LW0445 REV. A

P 220 / P 230 FIT METAL PUMP

PERFORMANCE
